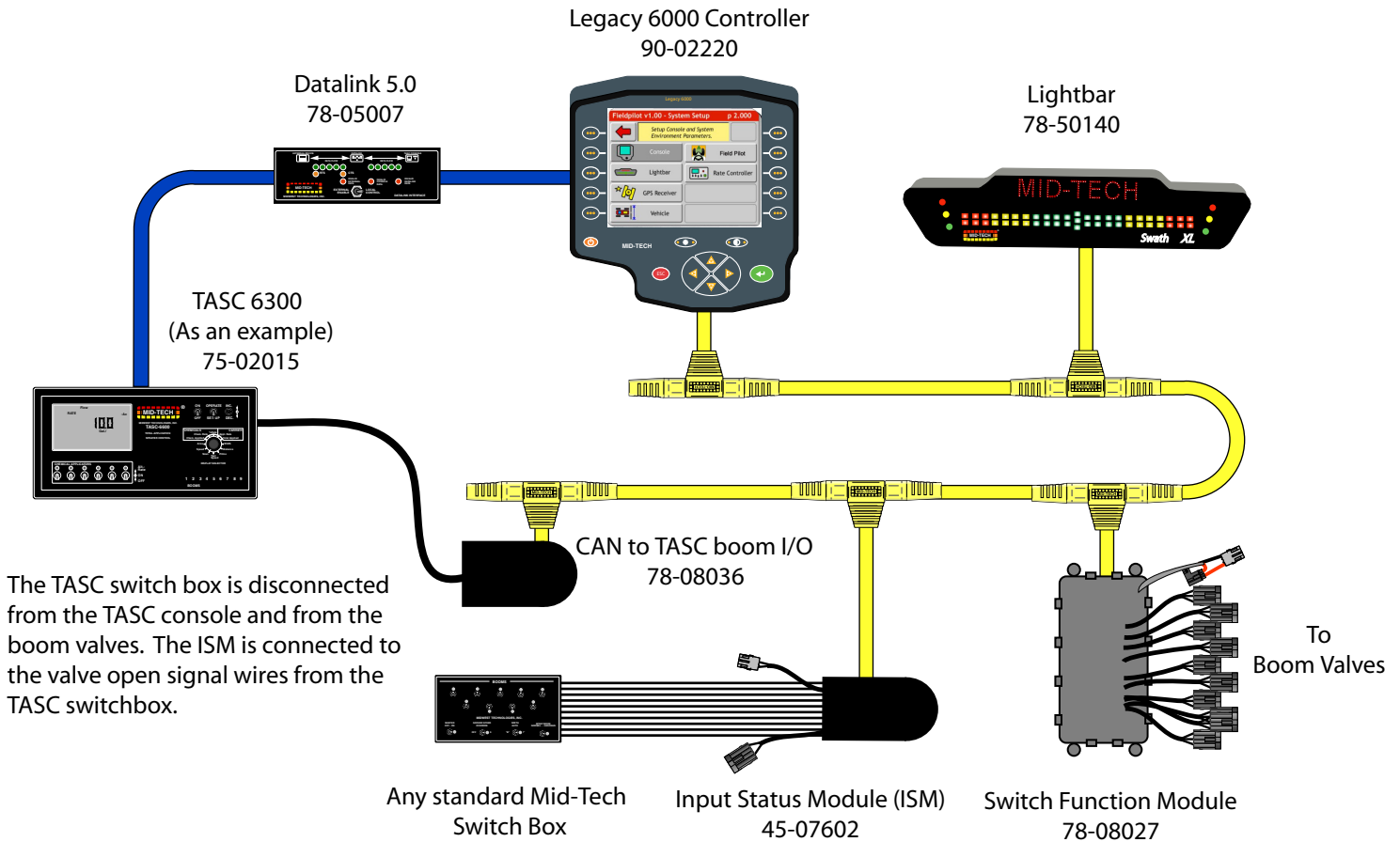


Auto-Boom Configuration for L6K and TASC Rate Controller using TASC Switch Box and SFM



All CAN System part numbers are based on Gen II CAN System.
This diagram is for auto-boom reference only.

Fieldware for the Legacy 6000 version 2.1x Auto-Boom Instructions



Run ver 2.1x in External Rate Control mode (EXT)



Controller Setup - set your controller to "Midtech 98" and set Status Detect to Off.



Implement Setup - Run this setup process. Single swath only.



Arm Setup - Set Auto Hold type to "Section Center"



In real-time you must press "Spray On" button to activate auto-boom.